

# RAF 2000 2-PLACE GYROPLANE SPECS

## DIMENSIONS

LENGTH:	13.6 feet
HEIGHT:	8.5 feet
WIDTH:	5.0 feet
AIRCRAFT DRY WEIGHT:	760 lbs
PAYLOAD:	575 lbs
CATAGORY WEIGHT:	1540 lbs

## ENGINE EJ22

MANUFACTURER:	SUBARU, Rebuilt
DISPLACEMENT:	2200cc, 2.2 litre
HORSEPOWER:	130hp
CYCLES:	four cycle
FUEL REQUIRMENTS:	premium unleaded auto-gas
COOLING:	liquid cooled
FUEL CONSUMPTION:	at 80% 6 gph (us gallons)
FUEL CAPACITY:	23 U.S. Gallons
UNUSABLE FUEL:	2 U.S. Gallons
ENDURANCE:	3 hrs. (½ hr reserve)

NOTE: Price & Specifications subject to change without notice

NOTE: Specs per test aircraft may vary

NOTE: FOB RAFSA factory

NOTE: **RAF 2000 Gyroplane requires flight training**

## REDUCTION UNIT

MANUFACTURER:	RAF
TYPE:	HTD cog belt reduction
RATIO:	2:10 to 1

## PROPELLER:

MANUFACTURER:	composite
PROPELLER DIAMETER:	WARP DRIVE
PROPELLER PITCH:	68"
	ground adjustable

## ROTOR BLADE

MANUFACTURER:	RAF
ROTOR SPAN:	30 foot
BLADE CORD:	8 ½ inches
MATERTIALS:	composite / aluminum spar / foam core
ROTOR BLADE LOADING:	1.88 lbs / sq. Foot

## PERFORMANCE: SINGLE OCCUPANT: DUAL OCCUPANT:

minimum speed:	10-12 mph	20-30 mph
maximum speed:	120 mph	120 mph
cruise speed:	70 - 80 mph	70 - 80 mph
stall speed:	n/a	n/a
take off speed:	30 - 35 mph	45-50 mph
take off roll:	0-75 feet	75-350 feet
landing roll:	0-10 feet	0-10 feet
RATE OF CLIMB:	1200 fpm	1000 fpm

NOTE: Performance optimum at sea level and dependent on wind

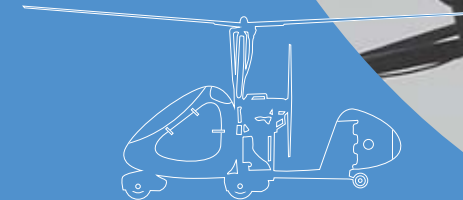
NOTE: Altitude restriction not to be performed between 5ft - 300ft

**ROTARY AIR FORCE SA (PTY) LTD**  
**P.O. Box 2071, Upington 8801, South Africa**  
**Tel: +27 54 331 3534**  
**Fax: +27 54 332 3628**

**email: [info@rafsa.co.za](mailto:info@rafsa.co.za)**  
**[www.rafsa.co.za](http://www.rafsa.co.za)**

Produced by: Web Studio +27 54 332 1540

# AFFORDABLE SAFE FUN TO FLY



**RAF2000**  
MILES ABOVE THE REST

# STATE OF THE ART MACHINING & COMPUTER DESIGN

QUALITY BY DESIGN Computer Numeric Controlled equipment assures the highest degree of accuracy possible in production today. From NASA to Boeing, to the auto industry, today's designs utilize computer aided drawing and machining such as the latest software utilized at RAF with Artisan, AutoCadd, and SmartCam. This allows an astounding ability to go from design to production the same day an ability only possible with the state of the art equipment at RAF.

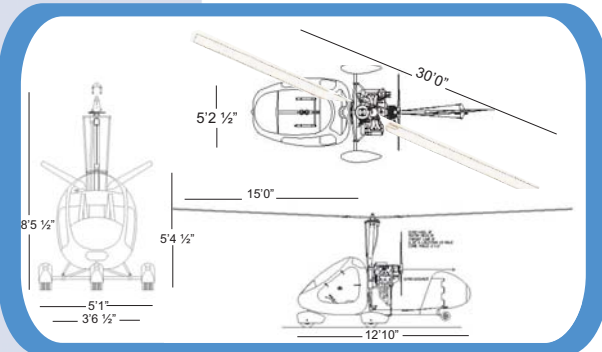
Artisan solid modeling allows 3 dimensional design giving a full view from all sides allowing for styling and precision of fit. Once downloaded from SmartCam to either the HAAS VF-3 milling centre or the HAAS HL-4 lathe the customer is assured the product produced will be the finest quality available in the industry today.



HAAS HL-4 Lathe



HAAS VF-3  
Milling Centre



NOTE: SUBARU OF AMERICA does not authorize the use of Subaru engines or parts by ROTARY AIR FORCE SA PTY LTD nor does it represent or warrant that its engines are suitable for use in gyroplanes. ROTARY AIR FORCE SA PTY LTD is not affiliated in any way with SUBARU OF AMERICA.

# RAF 2000 GYROPLANE KIT COMPONENTS

## Kit Components Assemblies c/w Hardware

	GTX SE EJ22 ENGINE	CARB EJ22 ENGINE	GTXSE FI EJ22 ENGINE	GTX SE FI EJ25 ENGINE
Cabin Enclosure Assembly	◆	◆	◆	◆
Complete Airframe Assembly	◆	◆	◆	◆
STD Seat / Fuel Tank & Seat Cover	◆	◆	◆	◆
Rudder Assembly	◆	◆	◆	◆
Instrument Assembly (see below)	◆	◆	◆	◆
EJ22 Exhaust System Assembly	◆	◆	◆	◆
EJ25 Exhaust System Assembly	◆	◆	◆	◆
EJ22 Electrical System Assembly	◆	◆	◆	◆
EJ25 Electrical System Assembly	◆	◆	◆	◆
EJ22 WARP DRIVE Propeller Assembly	◆	◆	◆	◆
EJ25 WARP DRIVE Propeller Assembly	◆	◆	◆	◆
EJ22 Pre-Rotor Assembly	◆	◆	◆	◆
EJ25 Pre-Rotor Assembly	◆	◆	◆	◆
Stripe Package, STD SE, GTX SE	◆	◆	◆	◆
EJ22 LEGACY 2.2L Engine, Rebuilt - CTI	◆	◆	◆	◆
EJ22 LEGACY 2.2L Engine, Rebuilt - FI	◆	◆	◆	◆
EJ25 LEGACY 2.5L Engine, Rebuilt - FI	◆	◆	◆	◆
30' Rotor Assembly	◆	◆	◆	◆

## OPTIONS

Electrical Pitch & Roll Trim Assembly	◆	◆	◆
Rotor Brake Assembly	◆	◆	◆
Wheel Pant Assembly, Nose - GTX SE	◆	◆	◆
Wheel Pants Assembly, STD MAIN	◆	◆	◆
Throttle Lock Assembly	◆	◆	◆
Heater Assembly	◆	◆	◆
Dash Face Plate	◆	◆	◆
Carpet Kit	◆	◆	◆
Dual Control	◆	◆	◆
Dual Fuel Pumps	◆	◆	◆



INSTRUMENT ASSEMBLY

c/w the following: altimeter, airspeed indicator, compass, engine tach, electronic rotor tach, electronic rotor tach sensing unit, voltage meter, oil pressure, electric water temperature.



STD SEAT/FUEL TANK &  
SEAT COVER

Optional: Fiberglass Seat/Fuel Tank (FGT) c/w Luggage Space, Safety Foam, Fuel Gauge & Seat Cover. ASK FOR PRICING